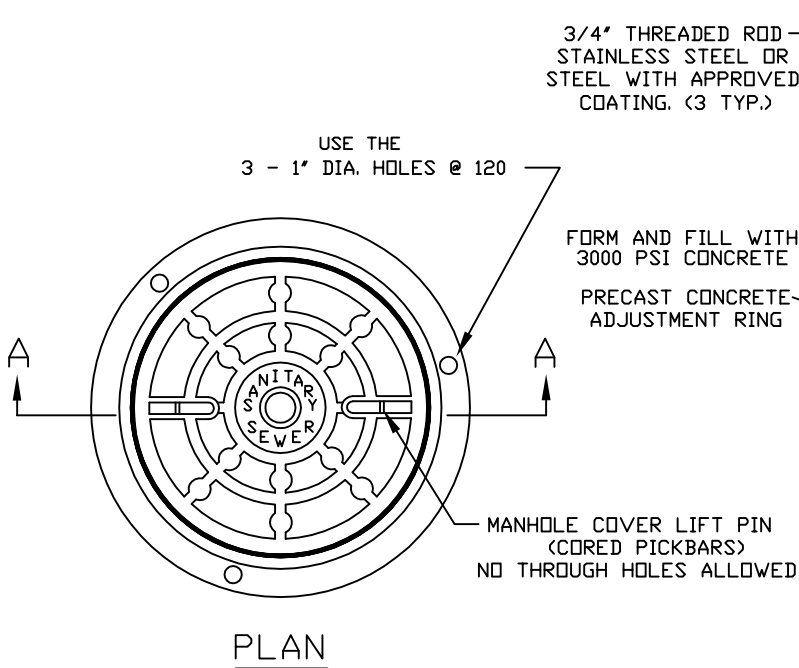


WATERTIGHT MANHOLE FRAME MODEL #1045Z BY EAST JORDAN IRON WORKS, INC. OR APPROVED EQUIVALENT.

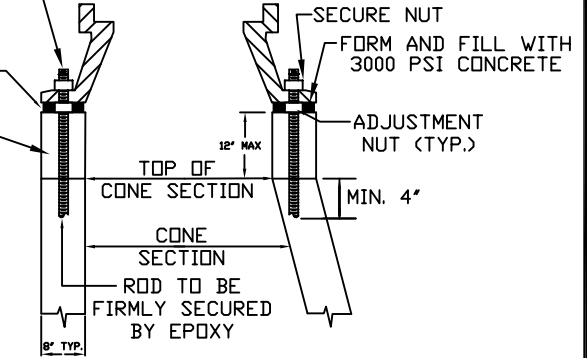


3/4" THREADED ROD
STAINLESS STEEL OR
STEEL WITH APPROVED
COATING. (3 TYP.)

FORM AND FILL WITH
3000 PSI CONCRETE
PRECAST CONCRETE
ADJUSTMENT RING

NOTE:

APPROVED WATER SEALANT
REQUIRED AT ALL JOINTS.

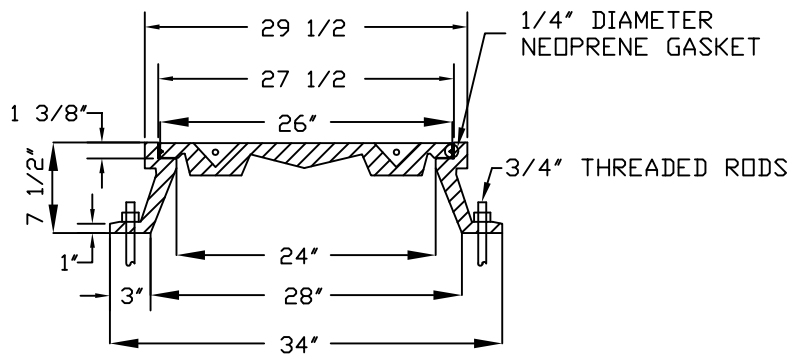


INSTALLATION DETAIL
FOR ALL FRAMES AND COVERS

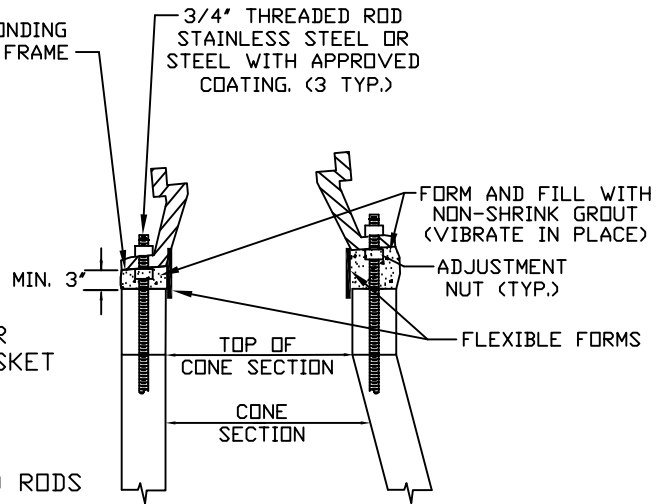
STANDARD MANHOLE COVER MODEL #1040AGS BY EAST JORDAN IRON WORKS, INC. OR APPROVED EQUIVALENT.

APPLY CONCRETE BONDING
AGENT TO BOTTOM OF FRAME

NOTE: COVERS WITH CAM BOLT
LOCKING SYSTEM TO BE PROVIDED
WHERE MANHOLES ARE SUBJECT TO
FLOODING AND/OR SEWER
SURCHARGING.



SECTION A-A



INSTALLATION DETAIL
FOR SLOPE ADJUSTMENT

REVISIONS		NO.	DATE	DRAWING
ORIGINAL	12/01/06			
1	9/01/07			
WATERTIGHT MANHOLE MANHOLE FRAME & COVER				